

GROVE

STANDHEIZUNG
ENGINE - INDEPENDENT HEATING SYSTEM

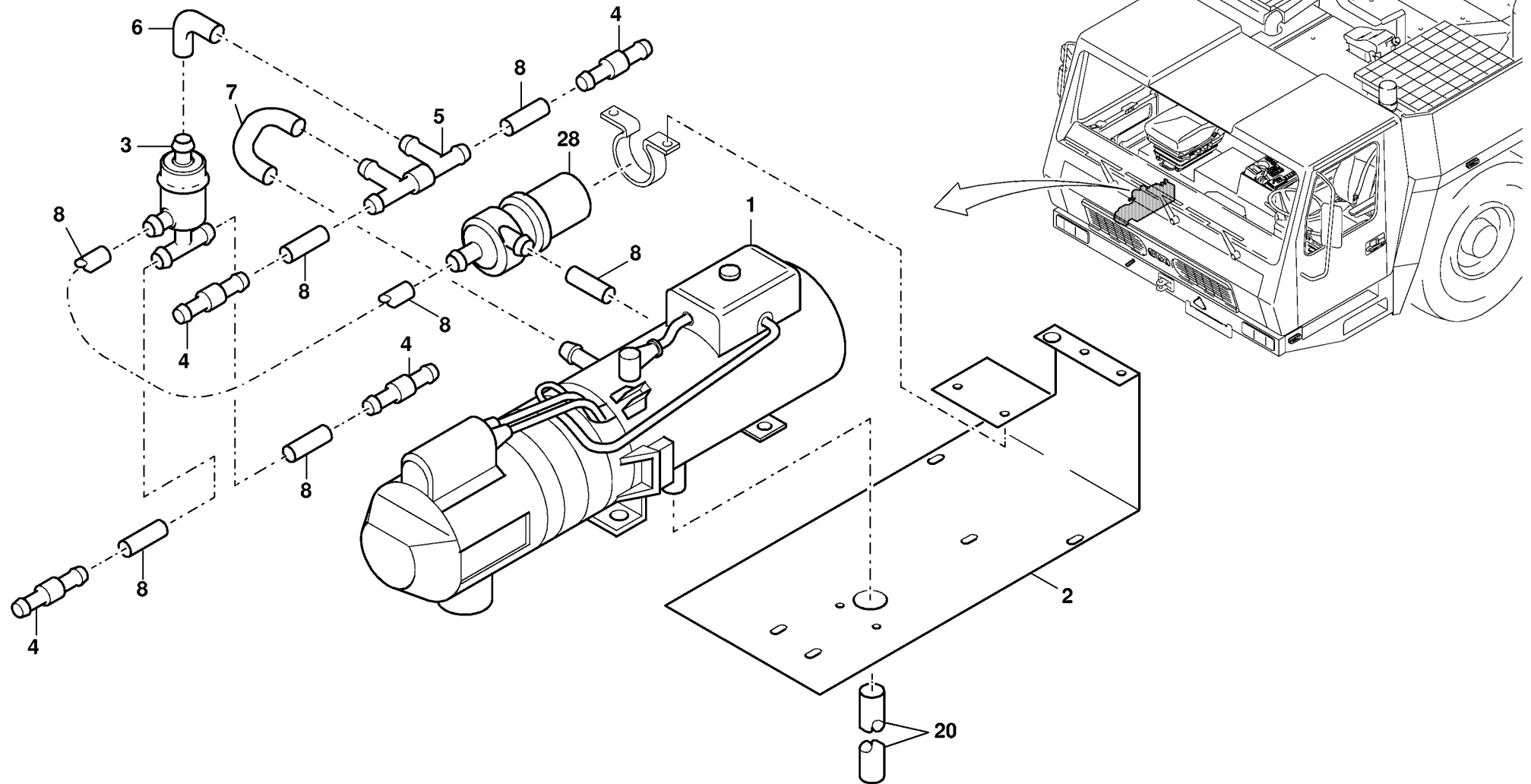
BILDTAFEL
PICTORIAL DISPLAY

11.02

2227011-ETL C

1/2

GMK 5200
BE 753
G 291



GROVESTANDHEIZUNG
ENGINE - INDEPENDENT HEATING SYSTEMBILDТАFЕL
PICTORIAL DISPLAY

11.02

2227011-ETL C

2/2

**GMK 5200
BE 753
G 291**